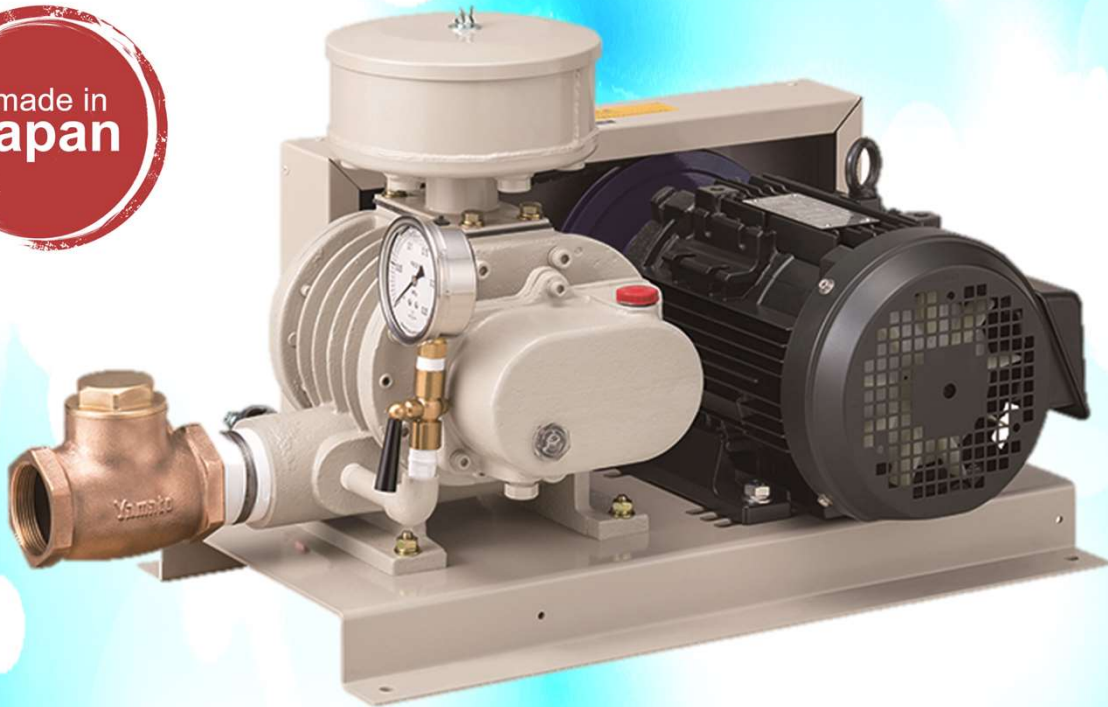




TOHIN

BZ TYPE

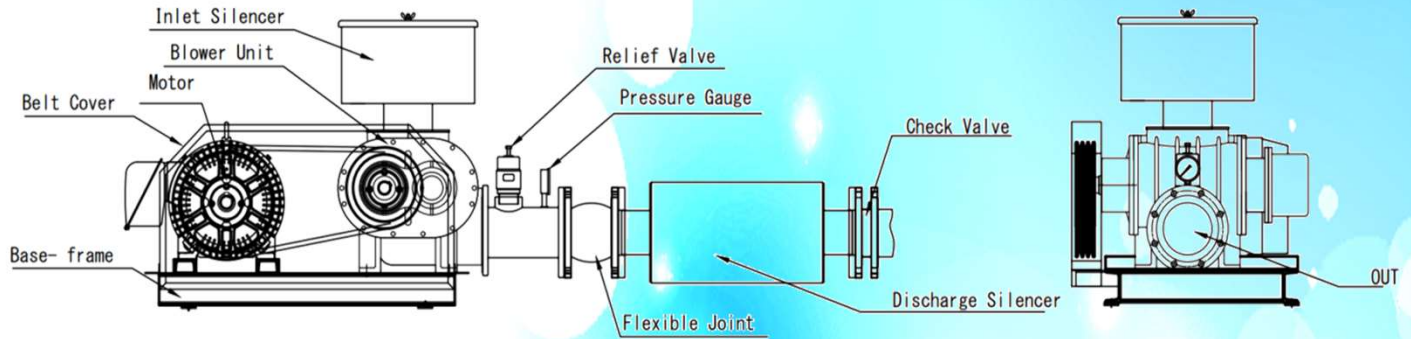
ROOTS BLOWER



- ❖ **JAPANESE STANDARD**
- ❖ **Reducing Noise And Vibration By Equipping Three-lobed Rotor**
- ❖ **Air Compression Chamber Is Oil-free And Expands Applications**
- ❖ **Compact And Lightweight, Perfect To Store In Blower Box**
- ❖ **Adopting 3V Energy-saving Power Belt**
- ❖ **MULTI-APPLICATION: Water Treatment, Bubble Bath, Sandblast, Incinerator, Plating Water Tank, Paper Feed Of Printing Machine, Air Lift Pump, Ozone Generator, Flour Mill, Etc.**

TECHNICAL SPECIFICATION

BZ TYPE



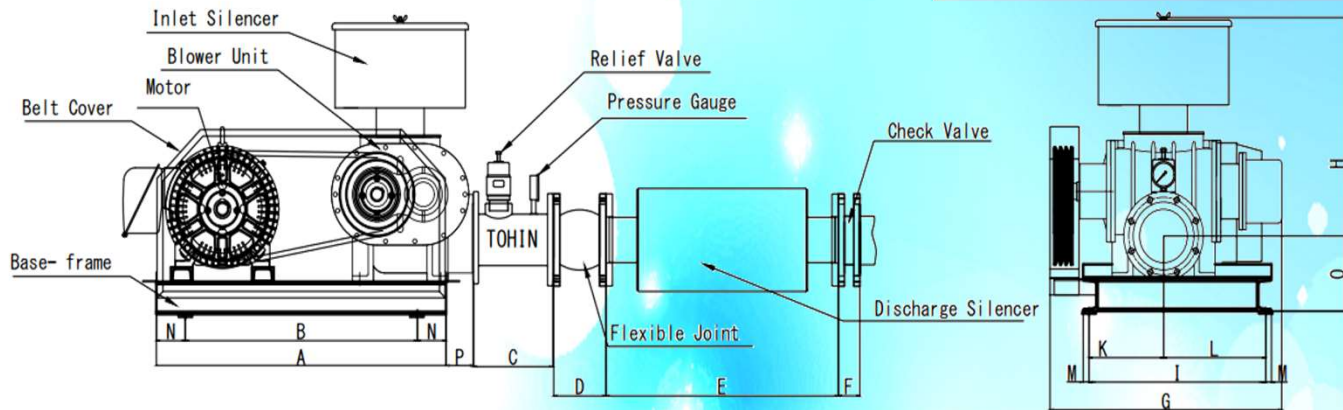
Model	Discharge port	Blower Speed	10kPa		20kPa		30kPa		40kPa		50kPa	
			A	min-1	m ³ /min	kW	m ³ /min	kW	m ³ /min	kW	m ³ /min	kW
BZ32	32A	2000	0,57	0,46	0,49	0,53	0,42	0,62	0,37	0,72	0,29	0,83
		2200	0,59	0,51	0,52	0,57	0,46	0,65	0,40	0,74	0,32	0,85
		2500	0,72	0,54	0,63	0,62	0,56	0,70	0,49	0,84	0,46	1,00
		2900	0,89	0,83	0,79	0,91	0,74	0,99	0,71	1,10	0,66	1,22
BZ40	40A	2050	0,99	0,85	0,88	0,95	0,77	1,09	0,71	1,24	0,65	1,40
		2300	1,18	0,88	1,06	1,00	0,96	1,16	0,87	1,33	0,80	1,55
		2550	1,33	1,06	1,22	1,26	1,12	1,45	1,08	1,69	0,99	1,92
BZ50	50A	2050	1,42	1,02	1,25	1,21	1,12	1,45	1,04	1,73	0,98	2,00
		2300	1,66	1,04	1,52	1,27	1,40	1,56	1,31	1,88	1,23	2,21
		2600	1,89	1,16	1,76	1,47	1,64	1,80	1,53	2,19	1,43	2,59
BZ50H	50A	1750	1,66	1,29	1,47	1,45	1,28	1,63	1,17	1,85	1,04	2,08
		2050	2,04	1,33	1,86	1,56	1,69	1,80	1,53	2,04	1,41	2,38
		2300	2,41	1,37	2,23	1,67	2,15	1,98	1,93	2,25	1,85	2,61
BZ65	65A	1700	3,43	2,08	3,07	2,44	2,80	2,83	2,44	3,33	2,02	3,87
		2050	4,14	2,34	3,92	2,87	3,71	3,44	3,60	4,00	3,45	4,65
		2300	4,96	3,13	4,74	3,73	4,55	4,26	4,34	4,84	4,24	5,49
BZ80	80A	1500	4,84	3,69	4,62	3,99	4,46	4,49	4,34	5,02	4,16	5,68
		1700	5,72	3,68	5,50	4,13	5,38	4,72	5,22	5,43	4,88	6,13
		1900	6,39	3,86	6,14	4,50	5,98	6,27	5,74	7,08	5,55	7,94
BZ100	100A	1400	7,00	4,15	6,90	5,02	6,73	6,12	6,69	8,01	6,63	9,21
		1550	7,56	5,68	7,32	6,66	7,07	8,06	6,96	9,06	6,80	10,51
		1750	8,78	6,38	8,48	8,65	8,16	8,40	7,87	10,55	7,51	11,80
		1850	9,63	7,91	9,37	8,97	9,17	9,85	8,85	11,23	8,71	12,23
BZ125	125A	1400	9,56	8,34	9,23	9,48	8,77	10,09	8,33	12,44	7,86	14,39
		1550	10,62	8,87	10,21	10,01	9,50	11,04	8,84	13,24	8,23	15,30
		1750	13,45	10,01	12,96	10,57	12,22	12,79	11,58	14,69	10,97	16,68
		1850	14,17	10,86	13,72	11,77	13,37	13,28	12,46	16,34	11,76	17,43
BZ150	150A	1330	19,80	12,36	19,14	13,97	18,74	17,83	18,58	20,89	18,05	24,90
		1420	20,99	12,50	20,74	15,42	20,11	18,84	19,19	22,62	18,73	26,49
		1580	26,68	15,42	25,91	18,07	25,23	20,94	24,42	24,48	24,23	28,96
		1670	29,89	17,95	28,50	20,53	27,54	22,68	27,15	26,06	26,94	32,58
		1870	32,52	19,12	31,54	21,27	30,66	24,54	29,66	29,14	28,28	33,13

Motor	1.5kW	2.2kW	3.7kW	5.5kW	7.5kW	11.0kW	15.0kW	18.5kW	22.0kW	30.0kW	37.0kW
-------	-------	-------	-------	-------	-------	--------	--------	--------	--------	--------	--------

- Standard accessory include: Inlet and outlet silencer, pressure gauge, base-frame, blower's pulley, belt, belt guard, relief valve, check valve.
- The weight above are for standard accessories only, motor excluded.
- Dimension for blower, which is equipped with high voltage motor, will be supplied specially.

OUTLINE DIMENSION

BZ TYPE



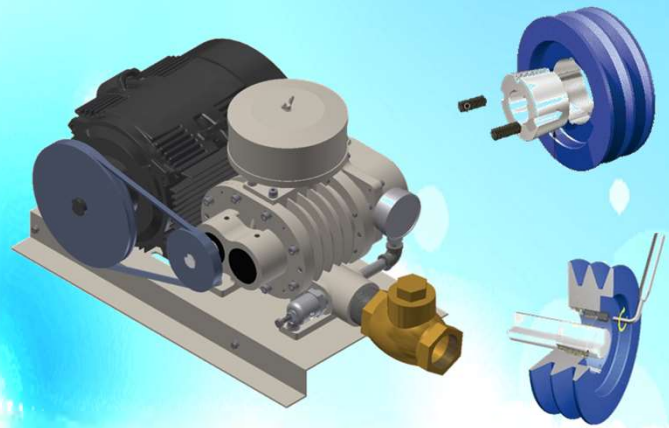
Model	A	B	C	D	E	F	G	H	P
BZ32	560	520	205	200	400	90	360	375	30
BZ40	580	540	205	205	400	100	370	410	30
BZ50	580	540	200	205	400	120	406	410	30
BZ50H	690	630	135	205	400	150	475	535	45
BZ65	800	600	130	205	420	150	530	580	55
BZ80	800	740	140	200	530	17	565	595	55
BZ100	1000	800	140	200	758	17	646	780	77
BZ125	1000	800	200	200	800	17,5	656	770	82
BZ150	1000	800	280	200	802	19	800	960	92
									/mm
Model	I	K	L	N	N'	M	M'	O	
BZ32	270	123	147	20	20	20	20	112	
BZ40	300	130	170	20	20	20	20	117	
BZ50	300	150	150	20	20	20	20	117	
BZ50H	335	112	223	30	30	20	20	145	
BZ65	397	145,5	265,5	100	100	14	14	150,5	
BZ80	435	172	263	30	30	20	20	150	
BZ100	510	173	337	100	100	20	20	193	
BZ125	510	218	292	100	100	20	20	193	
BZ150	610	257,5	352,5	100	100	20	20	236	

- Standard accessory include: Inlet and outlet silencer, pressure gauge, base-frame, blower's pulley, belt, belt guard, relief valve, check valve.
- The weight above are for standard accessories only, motor excluded.
- Dimension for blower, which is equipped with high voltage motor, will be supplied specially.

Distinctive of BZ type

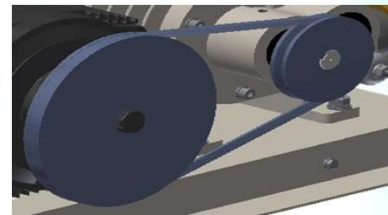
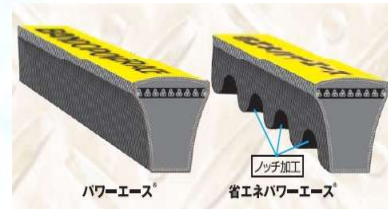
• Bushing pulley

- ✓ Bushing separate from pulley
- ✓ Even if the shaft diameter changes when changing the motor output, only the bushing is exchanged
- ✓ When changing the rotation speed, exchange only the pulley part



• Energy-Saving POWER ACE™

- ✓ Reduces torque loss and increases power transmission efficiency
- ✓ Saves energy and reduces CO₂ emissions without impairing transmission capacity
- ✓ Increased flexibility reduces heat generation
- ✓ Longer service life than Power Ace



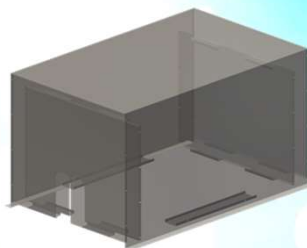
Optional parts

Outlet silencer



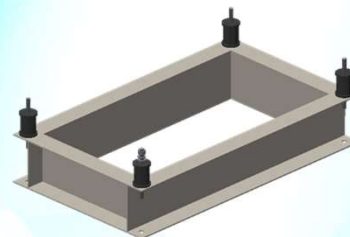
Using punching metal and multiple pipes, confine outlet noise inside

Full cover



Glass wool 50mm and the outlet side to double, the noise level is reduced by 15dB

Anti-vibration mount set



Flexible joint



TOHIN VIETNAM INDUSTRY CO., LTD.

Address: Lot I-10-3,I-10-4,I-10-5, D6 Street, Saigon Hi-Tech Park, Long Thanh My Ward, Thu Duc city, HCMC.

Email: contact@tohin.vn

Tel: (+84)28 7106 88 66

Web: www.tohin.vn

