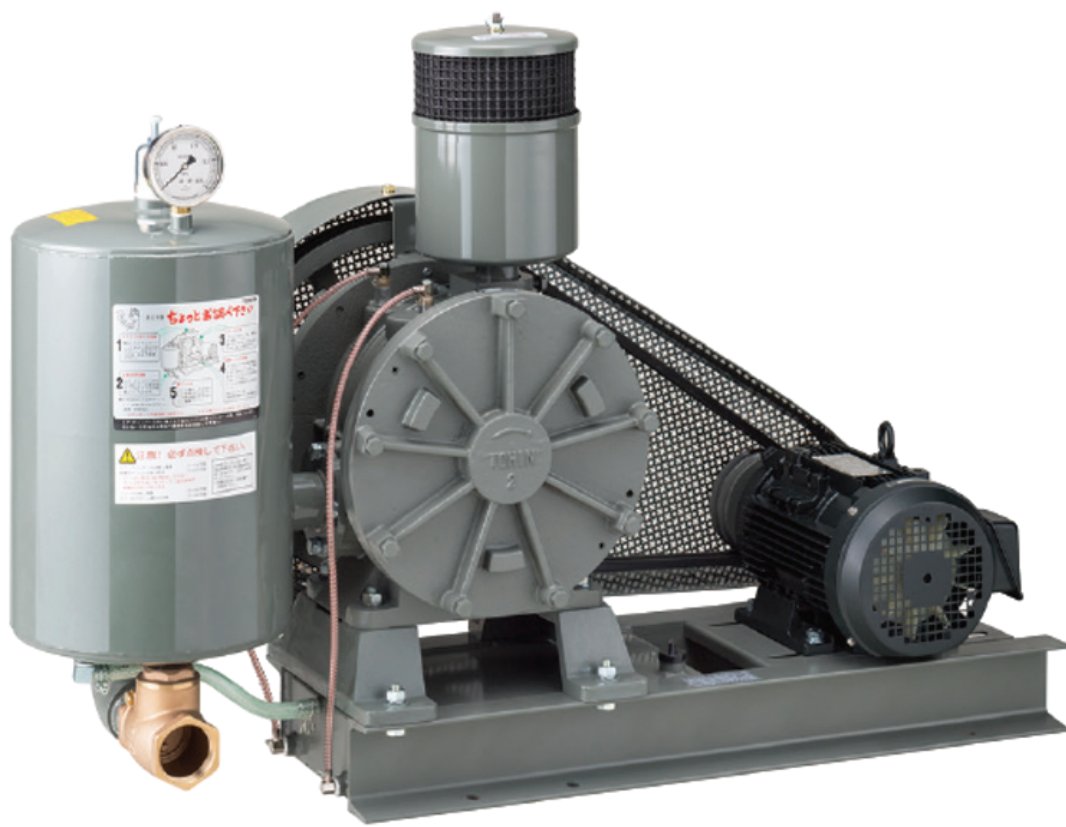




TOHIN VIETNAM INDUSTRY CO., LTD.

# ROTARY VANE BLOWER

HC Series · FD Series · SD Series



# TOHIN GROUP COMPANIES

## TOHIN VIETNAM INDUSTRY CO., LTD.

**Address:** Lot I-10-3, I-10-4, I-10-5, D6 Road,  
Sai Gon Hi-tech Park, Long Thanh My ward,  
Thu Duc city, VIETNAM

**Established:** 2015

**Representative:** Chairman - Yasushi Hamazaki  
CEO - Ito Madoka

**Business content:** Manufacture, import, export and sales  
of all kind of air blowers, air jet cooler,  
air amplifier, vacuum cleaner.

**Website:** <http://www.tohin.vn>



## TOHIN INDUSTRY CO., LTD.

**Address:** 13, Kawaraicho, Kuki-shi, Saitama,  
JAPAN

**Established:** 1953

**Representative:** President and CEO - Yasushi Hamazaki

**Business content:** Design, manufacture all kind of  
air blowers, air jet cooler, air amplifier,  
vacuum cleaner.  
Wastewater treatment related business.

**Website:** <https://www.tohin.co.jp/>



## TOHIN SHOJI CO., LTD.

**Address:** 2-20-7, Misaki-cho, Chiyoda-ku, Tokyo,  
JAPAN

**Established:** 1963

**Representative:** President and CEO - Yasushi Hamazaki

**Business content:** Sales products of Tohin Group

**Website:** <https://www.tohin.co.jp/>



# TOHIN GROUP COMPANIES

## B-TOHIN MACHINE (JIANGSU) CO., LTD.

**Address:** Yongan West Road, Industrial Park for Environmental SCI. & TEC., Yixing, Jiangsu, CHINA.

**Established:** 1994

**Representative:** Director - Xie Weimin

**Business content:** Design, manufacture, sales and export air blowers.  
Wastewater treatment related business.

**Website:** <http://www.bk.com.cn>



## TOHIN KOREA CO., LTD.

**Address:** # 227, Migun Techno World 2, 187 Techno 2 – ro Yuseong-gu, Daejeon, KOREA

**Established:** 2016

**Representative:** Chairman - Yasushi Hamazaki  
Representative Director - Lee Nori

**Business content:** Import, export, sales of blowers and raw materials.  
Wastewater treatment related business.

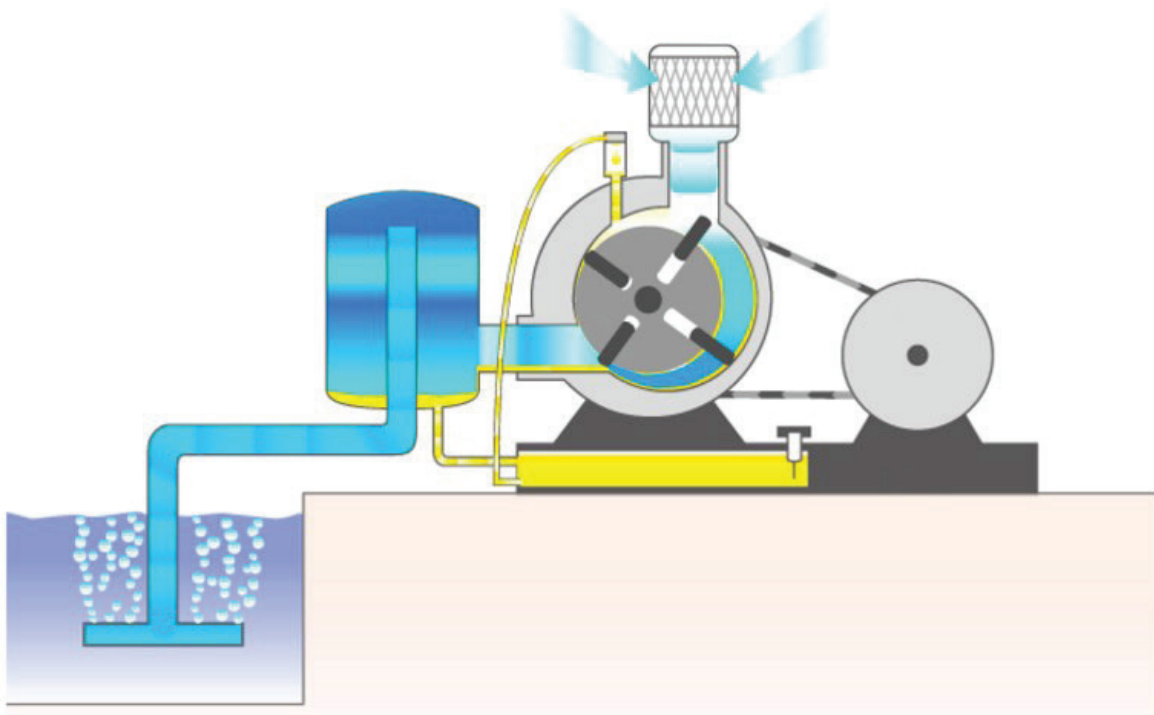


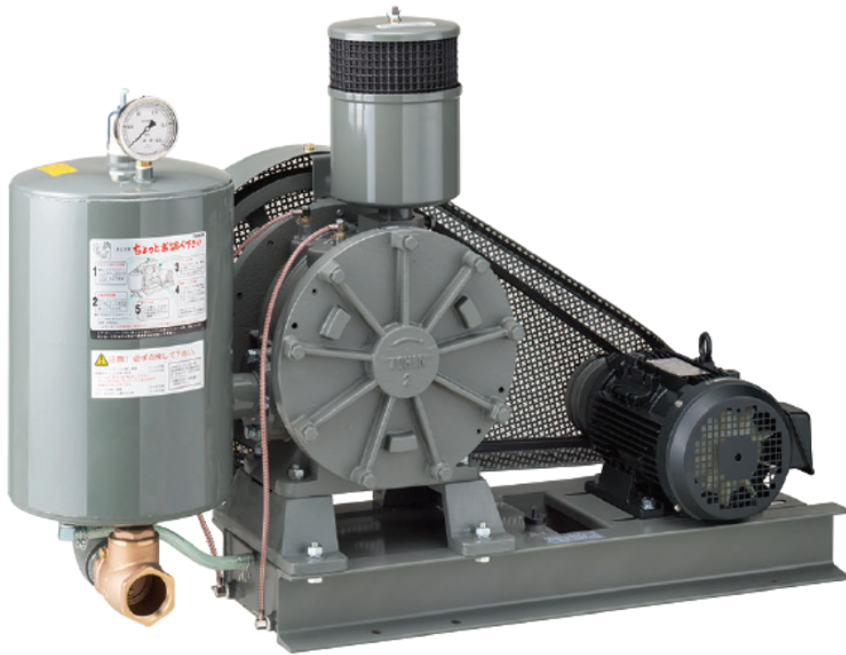
# TOHIN ROTARY VANE BLOWER

- TOHIN is the largest manufacturer of rotary vane blower in Japan having an ample experience and proven results with a long history of more than 50 years.
- A large variety of TOHIN blowers ranging from small to large types manufactured under strict quality management and incessant R&D can meet the requirements of various applications and your full expectations.
- Superior functionality and durability, in particular, quiet operating sound are the fruit of our high technology and experience.
- TOHIN Rotary Vane Blowers have been used for a long time for aeration of on-site wastewater treatment, not only for domestic but also for industrial or community.
- The established production of more than 4 million units is a good proof of reliability.

## Mechanism

- Tohin rotary vane blower mainly consists of components such as Blower body (cylinder), Motor, Air chamber, Air filter, Base (with oil tank), and Oil dropping nozzle. This simple structure contributes very long life and trouble-free operation.
- The rotor, which has four pieces of vane moving in-and-out repeatedly, eccentrically rotates in the cylinder to intake, compress, and discharge air. This is the basic mechanism of the blower.
- While running the machine, lubricating oil keeps circulating and continuously supplied to the cylinder through the oil dropping joint. The oil works not only to decrease operation sound and friction heat, but also to keep high airtightness in the cylinder.





- ☞ Achieved high efficiency of air flow with low motor capacity. 14 models are available in the HC-S Type.  
“want more air without changing size or motor power of the product”, to meet that voice, we developed this energy-saving product.
- ☞ HC-S series are the best for aeration of on-site wastewater treatment and spray device of a combustion unit.

## Feature

- ☞ Comparing operation sound of roots blowers, generally smaller HC-S models do not need a machine room. Larger HC-S models do not need sound insulation on a machine room because of quiet operation
- ☞ Unique oiling system that features less consumption and no clogging or leakage
- ☞ Achieved low price and low installation cost, furthermore, the energy-saving design can also save running cost.
- ☞ Has great durability. Air pressure and flow rate will not change in a long time operation.
- ☞ Motor and blower can be separated. Therefore it is flexible for modification to meet the requirements.
- ☞ Easy maintenance

## Application

- ☞ Aeration for on-site wastewater treatment
- ☞ Spraying for fuel oil and kerosene oil burners
- ☞ Aeration for fish farm
- ☞ Agitation in plating tanks or water tanks
- ☞ Air curtain

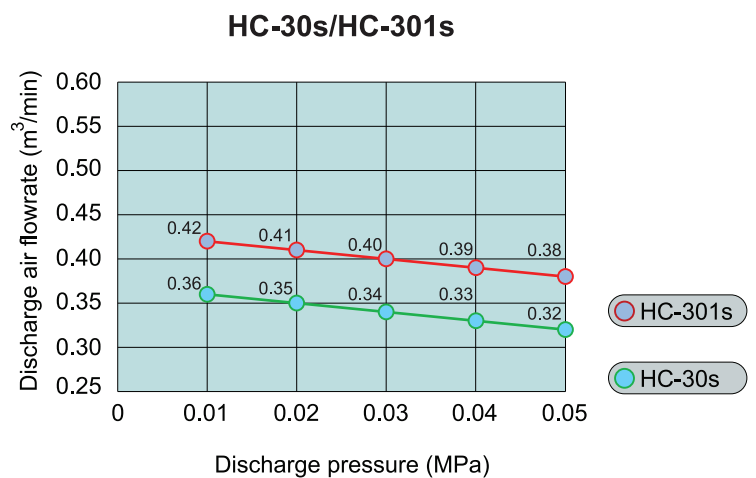
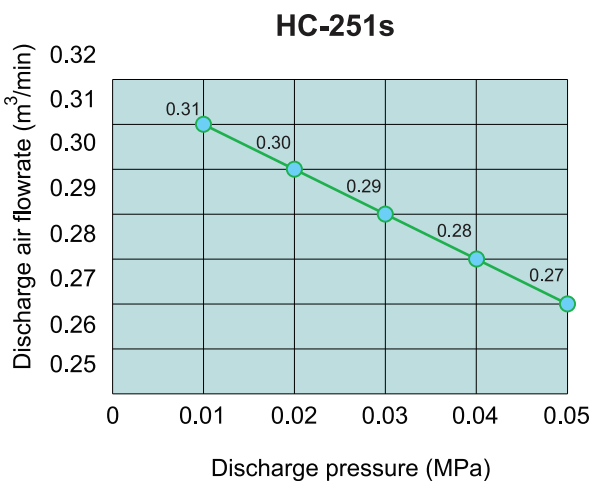


# ROTARY VANE BLOWER - HC TYPE

## Specifications

Model	Blower Size	Discharge port diameter	Motor kw	Blower Speed min-1	0.01 Mpa m <sup>3</sup> /min	0.02 Mpa m <sup>3</sup> /min	0.03 Mpa m <sup>3</sup> /min	0.04 Mpa m <sup>3</sup> /min	0.05 Mpa m <sup>3</sup> /min	Blower V Pulley	Motor V Pulley	V Belt Size	Super hydro 68A	Product weight
													Oil quantity (Effective amount)	Net (gross) kg
HC-251s	3/4"	20A	0.4	450	0.31	0.3	0.29	0.28	0.27	SPA 198-1-15	SPA 58-1-14	A-40	1.5 (1.1)	44 (55)
HC-30s	1"	25A	0.4	480	0.36	0.35	0.34	0.33	0.32	SPA 249-1-18	SPA 79-1-14	A-44	1.5 (1.1)	50 (57)
HC-301s	1"	25A	0.75	550	0.42	0.41	0.4	0.39	0.38	SPA 249-1-18	SPA 91-1-19	A-45	1.5 (1.1)	50 (57)
HC-40s	1 1/4"	32A	0.75	500	0.66	0.65	0.63	0.61	0.59	SPA 299-2-26	SPA 99-2-19	A-52	2.5 (1.7)	80 (88)
HC-401s	1 1/4"	32A	1.5	570	0.8	0.77	0.74	0.71	0.67	SPA 299-2-26	SPA 112-2-24	A-52	2.5 (1.7)	80 (88)
HC-50s	1 1/2"	40A	1.5	400	1.14	1.12	1.09	1.06	1.02	SPA 351-2-30	SPA 92-2-24	A-64	3.5 (2.7)	120 (130)
HC-501s	1 1/2"	40A	2.2	520	1.44	1.42	1.39	1.36	1.32	SPA 351-2-30	SPA 120-2-28	A-64	3.5 (2.7)	125 (135)
HC-60s	2"	50A	2.2	460	1.9	1.87	1.82	1.77	1.71	SPB 399-2-36	SPB 120-2-28	B-74	5.5 (3.8)	190 (223)
HC-601s	2"	50A	4	550	2.4	2.35	2.3	2.26	2.18	SPB 399-2-36	SPB 145-2-28	B-74	5.5 (3.8)	200 (233)
HC-80s	2 1/2"	65A	4	410	2.82	2.74	2.66	2.59	2.5	SPB 450-2-36	SPB 120-2-28	B-84	8.0 (6.0)	250 (268)
HC-801s	2 1/2"	65A	5.5	450	3.16	3.08	3	2.92	2.84	SPB 450-2-36	SPB 132-2-38	B-84	8.0 (6.0)	275 (293)
HC-100s	3"	80A	5.5	390	4.32	4.28	4.25	4.18	4.11	SPB 501-3-36	SPB 130-3-38	B-93	20.0 (16.0)	375 (395)
HC-1001s	3"	80A	7.5	500	5.41	5.32	5.25	5.18	5.11	SPB 501-3-36	SPB 170-3-38	B-93	20.0 (16.0)	390 (395)

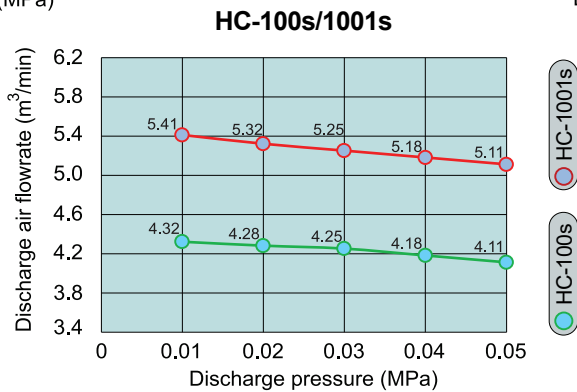
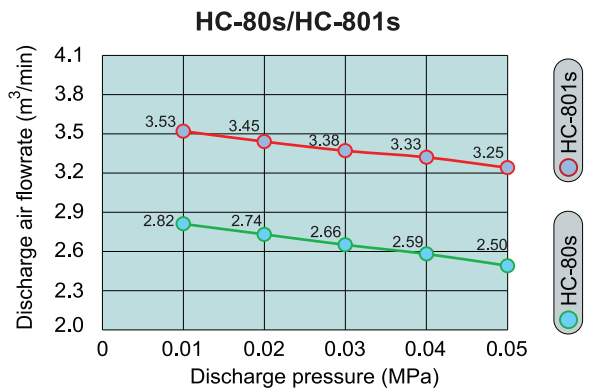
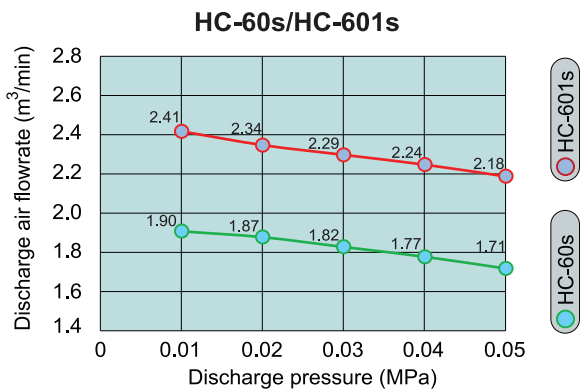
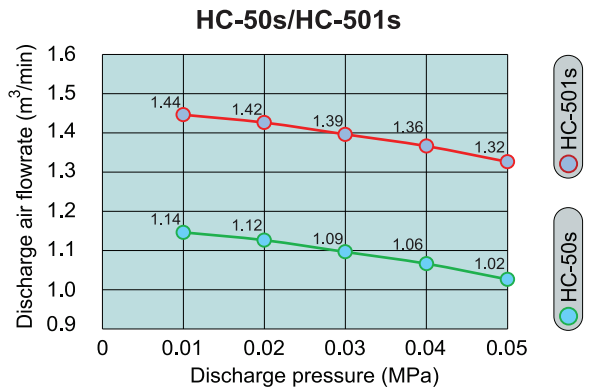
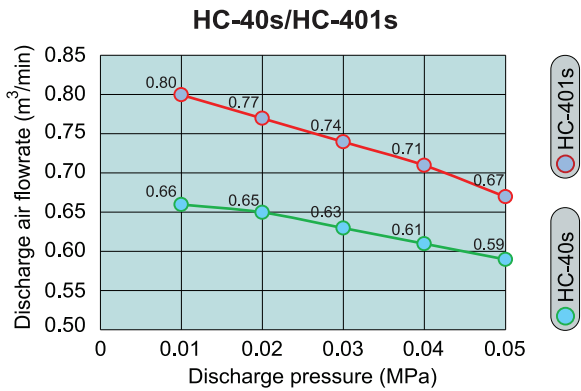
## Performance curves



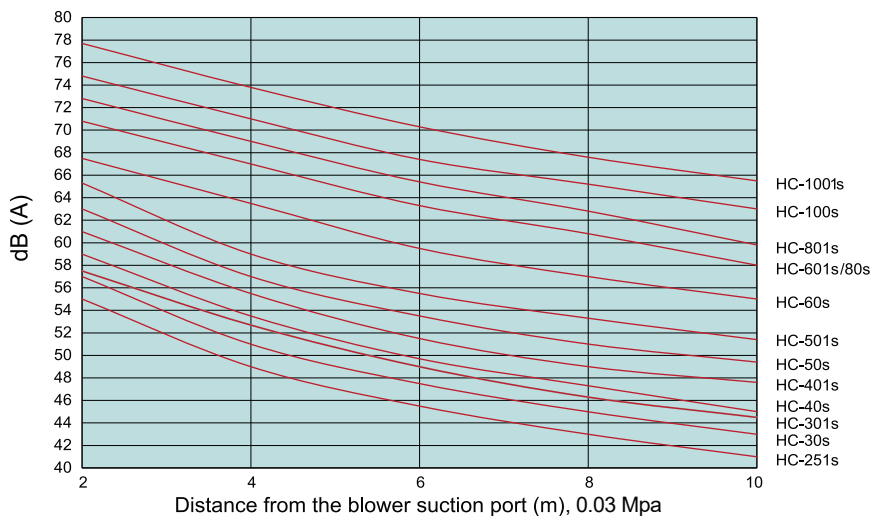
# ROTARY VANE BLOWER - HC TYPE



## Performance curves



## Noise curves

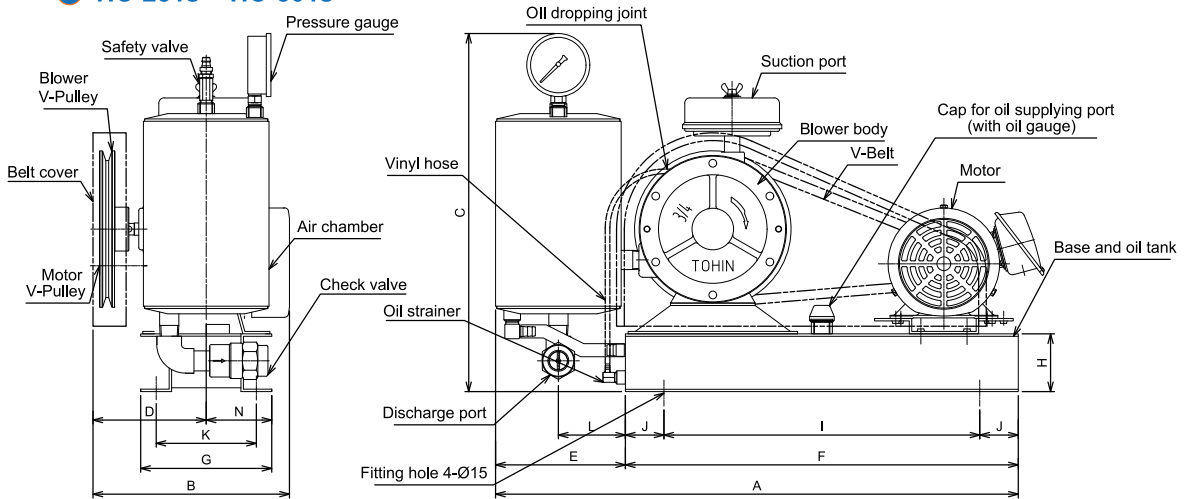




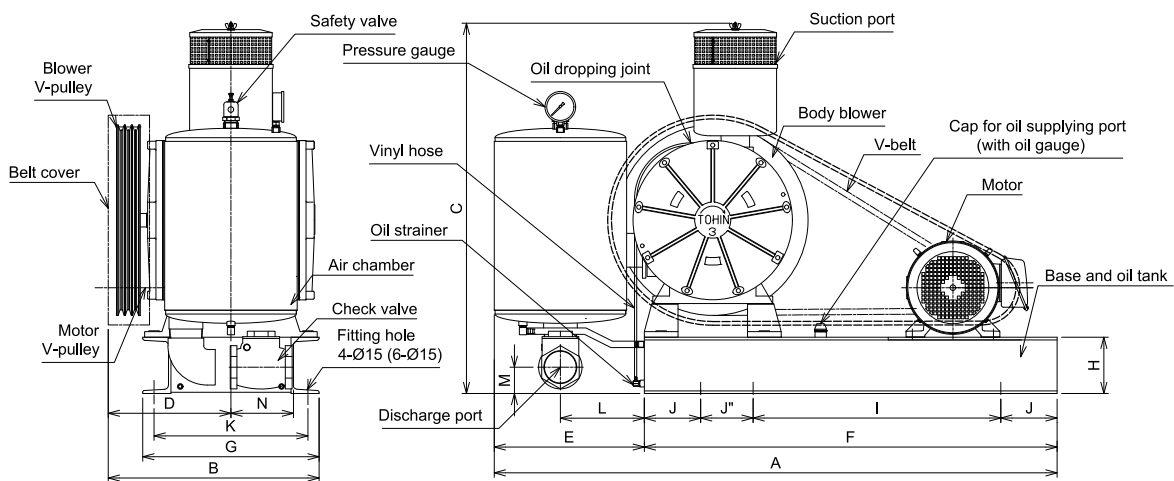
# ROTARY VANE BLOWER - HC TYPE

## Name of parts and sizes

### ● HC-251s ~ HC-501s



### ● HC-60s ~ HC-100s



Unit : mm

Model No.	A	B	C	D	E	F	G	H	I	J	J'	K	L	M	N	P
HC-251s	679	255	455	149	169	510	170	75	410	50	—	130	87	40	80	¾"
HC-30s	686	273	527	160	176	510	170	75	410	50	—	130	87	55	90	1"
HC-301s	686	300	527	160	176	510	170	75	410	50	—	130	87	55	90	1"
HC-40s	779	296	445	184	179	600	230	75	400	100	—	190	88	40	125	1¼"
HC-401s	779	296	445	184	179	600	230	75	400	100	—	190	88	40	125	1¼"
HC-50s	1018	350	600	213	218	800	265	75	600	100	—	225	106	60	117	1½"
HC-501s	1049	373	600	213	249	800	265	75	600	100	—	225	123	60	117	1½"
HC-60s	1180	385	825	233	330	850	300	100	485	125	115	260	185	60	110	2"
HC-601s	1180	385	825	233	330	850	300	100	485	125	115	260	185	60	110	2"
HC-80s	1325	440	878	260	325	1000	350	100	580	150	120	310	180	65	166	2½"
HC-801s	1325	440	878	260	325	1000	350	100	580	150	120	310	180	65	166	2½"
HC-100s	1500	550	987	315	400	1100	470	150	660	150	140	410	223	70	163	3"

\* Please refer to the outline drawing or structure diagram for more information.



## Soundproof cover

- Strong steel structure
- To reduce noise
- To prevent dust

## Multiple Type

Combine many machines and electric box together.



Outside



Inside

## Mono Type

Used for one machine.

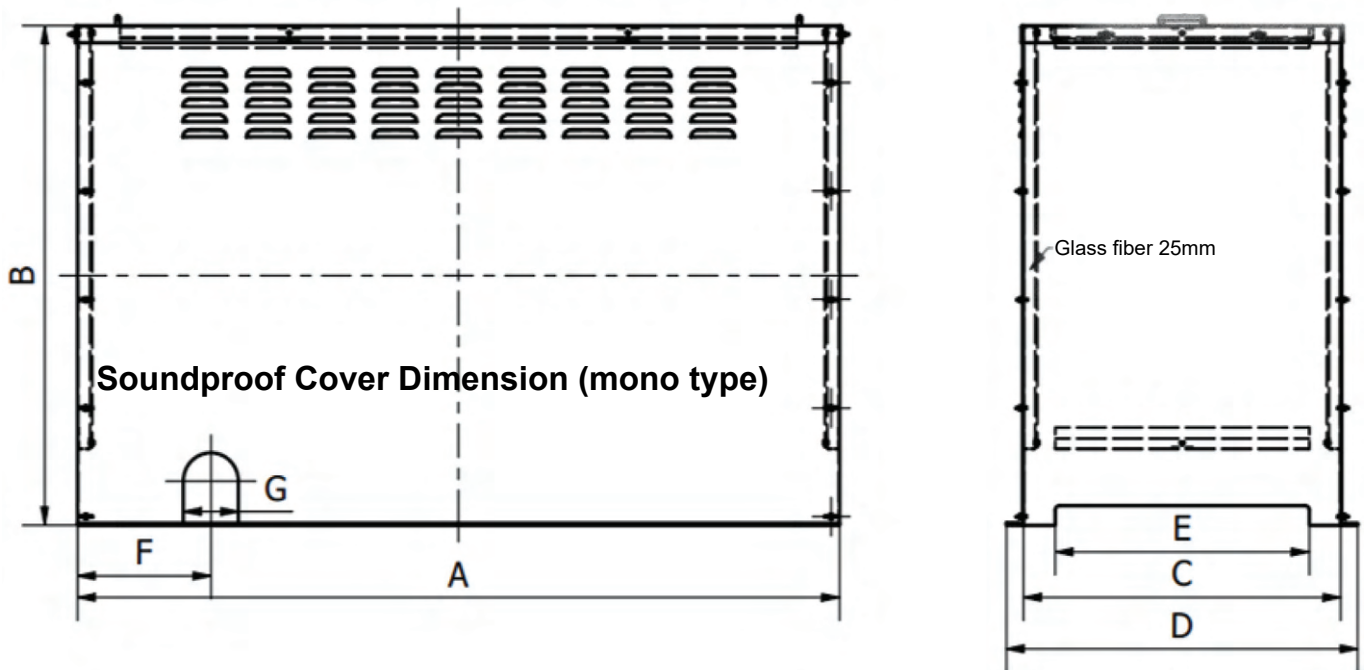


Outside



Inside

## Soundproof cover drawings



## Soundproof cover dimension (mono type)

Unit mm

Model No.	A	B	C	D	E	F	G
HC-251s~301s	850	565	380	430	280	140	65
HC-40s~401s	1000	575	440	490	310	175	65
HC-50s~501s	1200	700	500	580	350	200	100
HC-60s~601s	1350	900	550	630	400	240	130
HC-80s~801s	1500	1000	660	740	500	240	130
HC-100s~1001s	1800	1150	750	830	600	315	130

Noise can be reduced 1 ~ 2 dB with soundproof cover at the same measurement conditions.

# ROTARY VANE BLOWER - FD TYPE



FD-250s  
FD-300

- ⊗ Adapt a new chamber that is tougher for continuous running.
- ⊗ More applications become available.
- ⊗ FD Type was developed based on SD type's structure, and have a greater chamber to meet various applications as middle size blower.
- ⊗ Available not only for aeration for on-site wastewater treatment but also for spray device of a combustion unit.

## Feature

- ⊗ Unique oiling system that hardly run out lubricating oil in one or two years continuous operation
- ⊗ Equipped with a check valve to prevent a trouble caused by back water from a tank
- ⊗ Built-in Safety-relief valve sounds an alarm to prevent motor burnout, when the motor is overloaded by clogging of pipes or diffuser tube.
- ⊗ Has an auto-stop function (manual reset) to prevent motor burnout
- ⊗ Has great durability. Air pressure and flow rate will not change in a long time operation.
- ⊗ Motor and blower can be separated. Therefore it is flexible for modification to meet the requirements

## Application

- ⊗ Aeration for on-site wastewater treatment
- ⊗ Spraying for fuel oil and kerosene oil burners
- ⊗ Aeration for fish farm
- ⊗ Agitation in plating tanks or water tanks
- ⊗ Air curtain

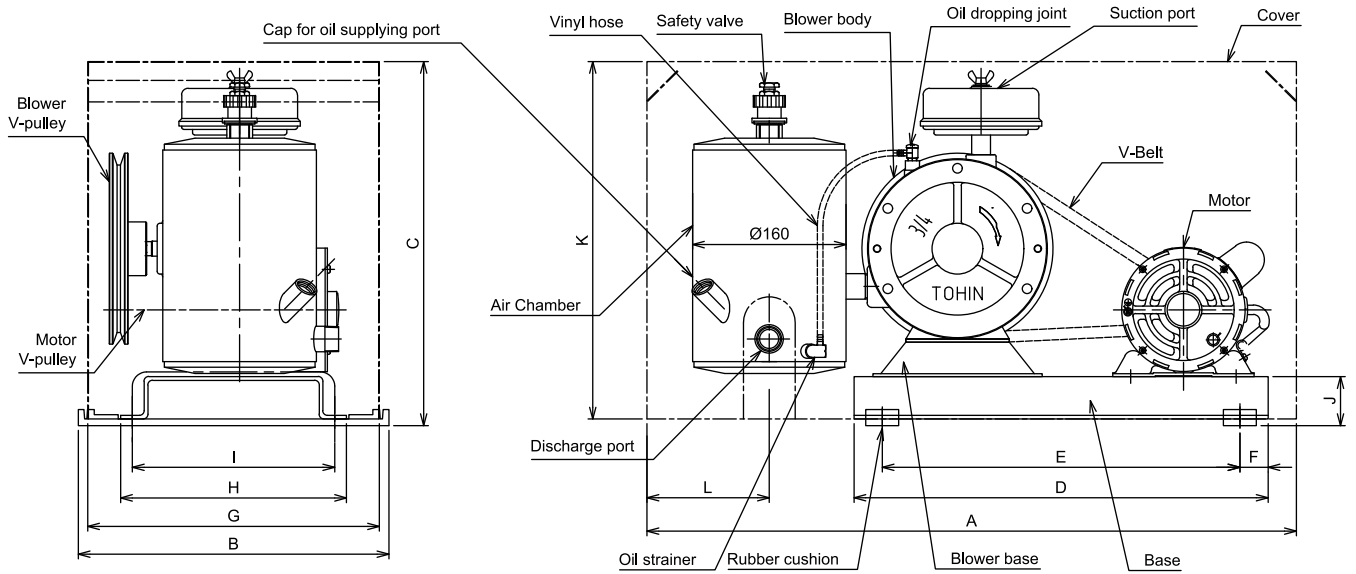
## Specifications

Model	Blower Size	Discharge port diameter	Motor kw	Blower Speed min-1	0.01 Mpa m <sup>3</sup> /min	0.02 Mpa m <sup>3</sup> /min	0.03 Mpa m <sup>3</sup> /min	Blower V Pulley	Motor V Pulley	V Belt Size	Super hydro 68A	Product weight
											Oil quantity (Effective amount)	kg
FD-250s	3/4"	20A	0.4	540	0.265	0.25	0.237	8"	3"	A-35	1.2 (0.9)	47
FD-300	3/4"	20A	0.4	450	0.31	0.3	0.292	8"	2 1/2"	A-35	1.2 (0.9)	53



# ROTARY VANE BLOWER - FD TYPE

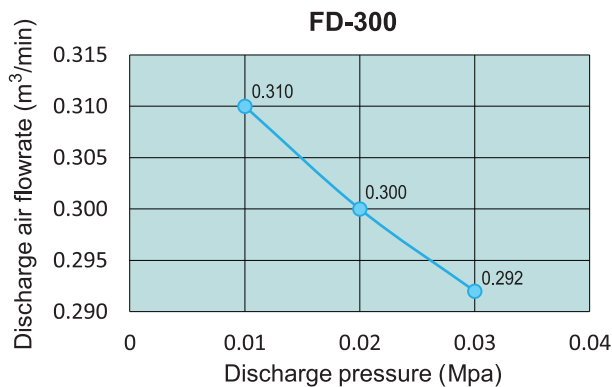
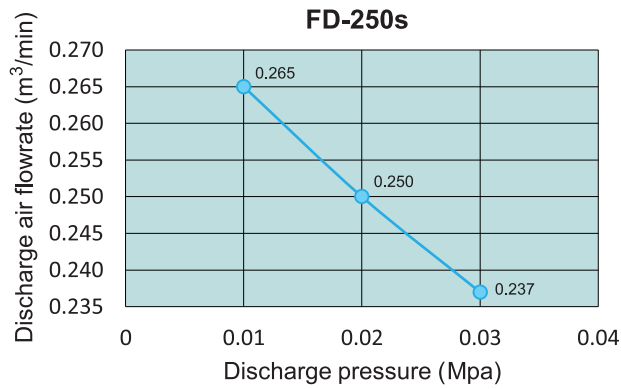
## Name of parts and sizes



Unit : mm

Model No.	A	B	C	D	E	F	G	H	I	J	K	L	M
FD-250s	690	330	387	440	380	30	310	240	215	52	377	130	92
FD-300	690	330	387	440	380	30	310	240	215	52	377	130	92

## Performance curves



# ROTARY VANE BLOWER - SD TYPE



SD-120  
SD-150s  
SD-200s

- ⊗ High reliability and Easy of use.
- ⊗ SD Type rotary vane blowers are very long selling authentic compact products.
- ⊗ They are widely used such as aeration unit for on-site wastewater treatment system, or for spray device for a combustion unit. Its reliability has been highly appreciated in the market.

## Feature

- ⊗ Unique oiling system that hardly run out lubricating oil in one or two years continuous operation.
- ⊗ Equipped with a check valve to prevent a trouble caused by back water from a tank.
- ⊗ Built-in Safety-relief valve sounds an alarm to prevent motor burnout, when the motor is overloaded by clogging of pipes or diffuser tube.
- ⊗ Has an auto-stop function (manual reset) to prevent motor burnout.
- ⊗ Has great durability. Air pressure and flow rate will not change in a long time operation.
- ⊗ Motor and blower can be separated. Therefore it is flexible for modification to meet the requirements.

## Application

- ⊗ Aeration for on-site wastewater treatment
- ⊗ Spraying for fuel oil and kerosene oil burners
- ⊗ Aeration for fish farm
- ⊗ Agitation in plating tanks or water tanks
- ⊗ Air curtain

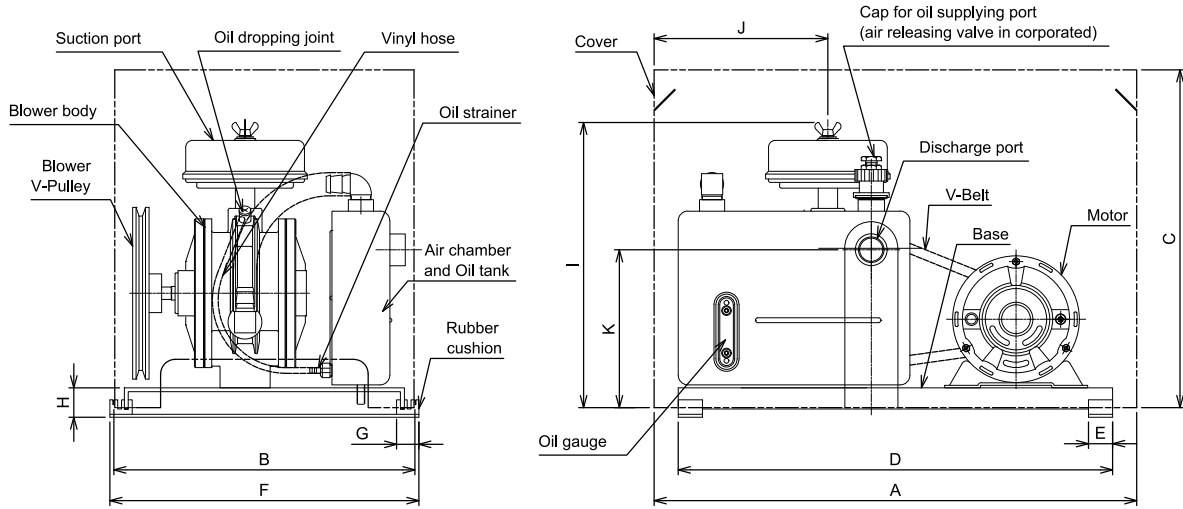
## Specifications

Model	Blower Size	Discharge port diameter	Motor kw	Blower Speed min-1	0.01 Mpa $\text{m}^3/\text{min}$	0.02 Mpa $\text{m}^3/\text{min}$	0.03 Mpa $\text{m}^3/\text{min}$	Blower V Pulley	Motor V Pulley	V Belt Size	Super hydro 68A	Product weight
											Oil quantity (Effective amount)	kg
SD-120	1/2"N	20A	0.25 kw	480	0.124	0.12	0.114	7"	2 1/2"	M-33	1.0 (0.65)	29.5
SD-150s	1/2"N	20A	0.25 kw	600	0.156	0.15	0.145	7"	3"	M-33	1.0 (0.65)	30
SD-200s	1/2"S	20A	0.4 kw	600	0.205	0.2	0.145	7"	3"	M-33	1.0 (0.65)	34



# ROTARY VANE BLOWER - SD TYPE

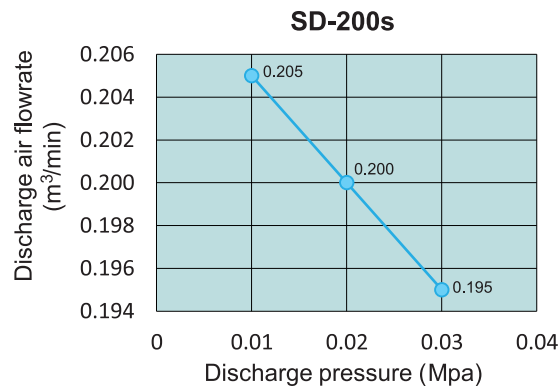
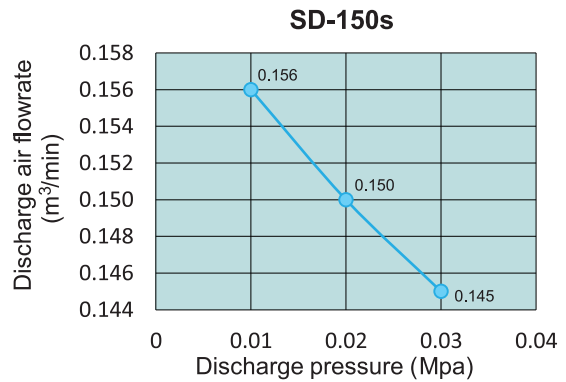
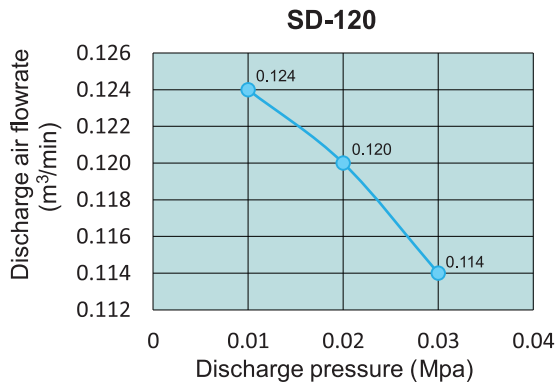
## Name of parts and sizes



Unit : mm

Model No.	A	B	C	D	E	F	G	H	I	J	K	M
SD-120	480	265	338	440	25	275	23	30.5	303	220	173.5	3/4"
SD-150s	480	265	338	440	25	275	23	30.5	303	220	173.5	3/4"
SD-200s	500	310	360	450	25	320	23	30.5	305.5	225	173.5	3/4"

## Performance curves



# AFTER SALE SERVICE

With high experienced technicians, TVI always meets the needs of customers with the dedicated motto, fast and quality assurance.

## Genuine parts stocked in warehouse



## Field check / Repair





**TOHIN VIETNAM INDUSTRY CO., LTD.**



**Vietnam Office / Factory: Tohin Vietnam Industry Co., Ltd.**

Lot I-10-3, I-10-4, I-10-5, D6 Road, Hi-tech Park,  
Long Thanh My ward, Thu Duc city, HCMC, VIETNAM.  
Hotline: (+84) 901466586 (Sales) / (+84) 902926586 (Service)  
(+84) 28 7106 8866  
Email: [contact@tohin.vn](mailto:contact@tohin.vn)  
Web: [www.tohin.vn](http://www.tohin.vn)



**Japan Factory: Tohin Industry Co., Ltd.**

13, Kawaraicho, Kuki-shi, Saitama, JAPAN.  
Web: [www.tohin.co.jp](http://www.tohin.co.jp)